

PAD-94X

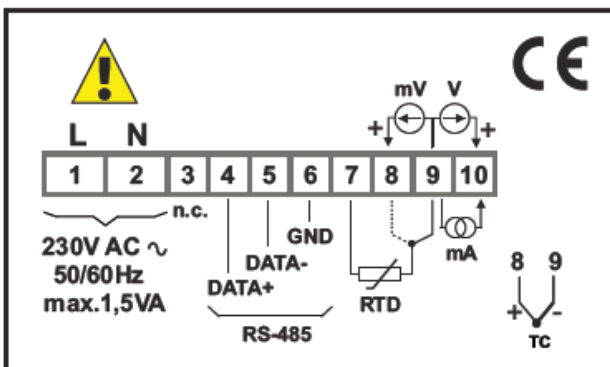
- low-cost meter with large display
- universal input (current/voltage/temperature)
- RS-485 / Modbus RTU



The PAD-94X meter is equipped with one universal input: 0/4-20 mA, 0-10V, 0-150mV, RTD (Pt100/500/1000) or thermocouple (K, S, J, T, N, R, B, E). Temperature of cold ends is compensated automatically. RTD and TC inputs are fully linearised. PAD-94X enables user to select a characteristic conversion of several kinds: linear, square, square root, user defined. The device is equipped with RS-485 / Modbus RTU communication interface. The device can be configured via IR remote controller or optionally by PC free software, via RS-485 interface. Over more communication interface RS-485 enables data transmission in any monitoring system equipped with Modbus RTU protocol.

- free scalable display
- display brightness and filter adjustable
- signal peak value detection

Exemplary pin assignment



Ordering

PAD-94X-X-XX5-N1

power supply:

- 1 : 24 V DC
- 2 : 230V AC
- 3 : 110V AC

options:

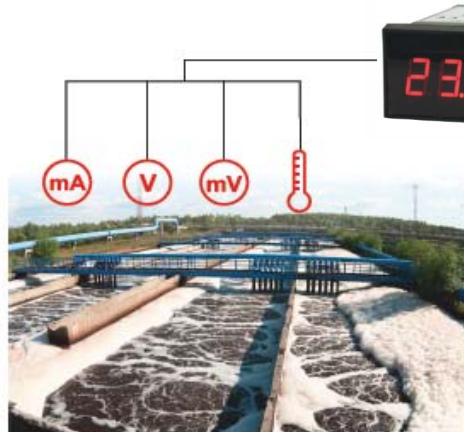
- 00 : no options
- 01 : IP 65
- 08 : operating temp. -20°C ... +50°C

Accessories



IR remote controller PMT-15

Typical application



Technical data

Power supply: 110V AC ± 10%, 230V AC ± 10% or 24V DC (10V ... 30V DC)
Power consumption: 110V AC und 230 VAC power supply: max. 1,5 VA; 24 V DC: max. 1 W
Display: LED, red, 4 x 20mm
Input: universal
current 0...20 mA or 4...20 mA, input resistance < 65 Ω
 overload protected, input current is limited to 50 mA;
voltage (V) 0...5V, 1...5V, 0...10V or 2...10V, input resistance > 100 kΩ
millivoltage (mV) 0...60mV, 0...75mV, 0...100mV, 0...150mV, input resistance > 1,5MΩ
RTD: Pt100, Pt500, Pt1000 (measurement wires resistance: max: 20 Ω); measuring range: -100°C ÷ 600°C
thermocouple: Typ K, S, J, T, N, R, B, E; measuring range: K: -200...1370°C; S: -50...1768°C; J: -210...1200°C; T: -200...400°C; N: -200...1300°C; R: -50...1768°C; B: +250...1820°C; E: -200...1000°C
Display range: -999...9999 + decimal point
Accuracy (25 °C): ± 0,1 % FSO (current, voltage, millivoltage, RTD, TC K, J, E); 0,2 % (TC N); 0,5 % (TC S,T,R,B)
Stability: 50 ppm/°C
Communication interface: RS-485 (Modbus RTU), not galvanically isolated
Operating temp: 0...50°C, option: -20°C...50°C
Storage temp: -10...70°C, option: -20°C...70°C
Protection class: IP 40, IP 65 (front side when an optional seal is installed), IP 20 (case and connection clips)
case: board
Gehäusematerial: NORYL – UL94V-0
Gehäuseabmessungen: 96 x 48 x 72 mm
Tafelausschnitt: 91 x 45 mm
Fronttafel: max. 6 mm