

PAD-73D

- meter in a small case
- no analog input
- two-coloured display (4-digits)
- RS-485 / Modbus RTU (SLAVE)

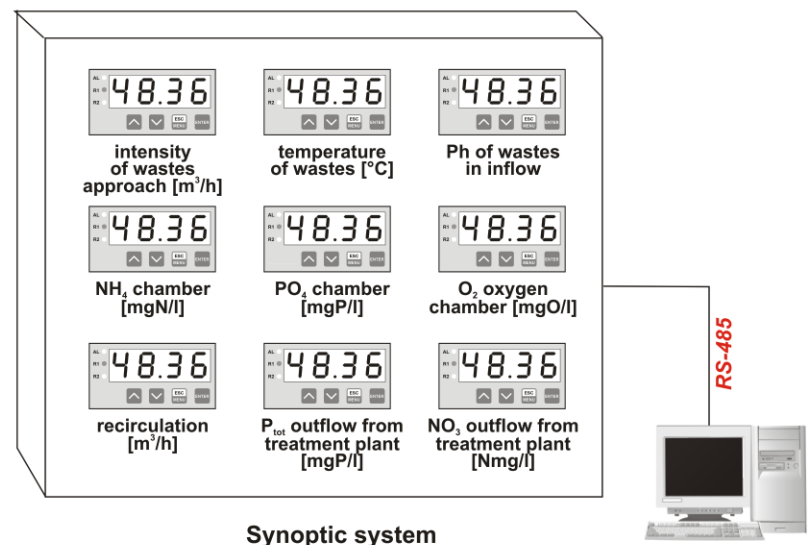


The PAD-73D indicator is intended for displaying the measurement data sent from the master device over the RS-485 link (Modbus RTU protocol). The display brightness can be adjusted in 8 steps.

- two-coloured display for IP 40 version,
- password protected,
- display brightness adjustable in 8 steps,
- transmission speed adjustable: 1200...115200 bit/s,
- available with AC and DC power supply versions.

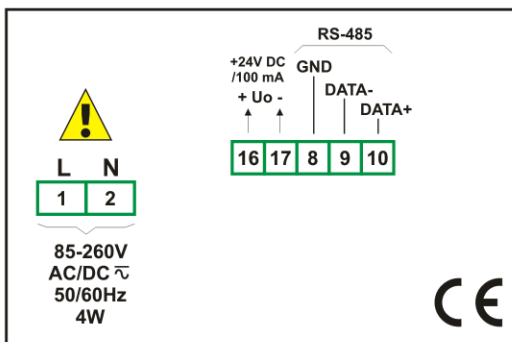
Typical applications

1. Indication of current values of any parameters,
2. Application wherever there is a need for a quick view of many parameters, i.e. in a synoptic system.



Synoptic system

Exemplary pin assignment



Technical data

- Power supply:** 19...50V DC; 16...35V AC or 85...260V AC/DC
Power consumption: for 85...260V AC/DC and 16...35V AC power supply: max. 4,5 VA; 19...50V DC power supply: max. 4,5 W
Display: LED, two-coloured (red-green), 4 x 13 mm (IP 40) - standard or LED, red, 6 x 9 mm (IP 65) - option + 3 LED diodes (red), with 8-step adjustment of brightness
Displayed values range: 4 digits (-999...9999 plus decimal point) or 6 digits (-99999...999999 plus decimal point) or any of character indication in range of 7-segments display
Accuracy (25 °C): ± 0,1 % FSO
Tolerance band (0...50°C): max. 0,25 % FSO
Communication interface: RS-485 (Modbus RTU - SLAVE), not galvanically isolated
Transmission speed: adjustable in range from 1200 to 19200 bit/sek.
Transmission parameters: 8N1 and 8N2
Operating temperature: 0...50°C
Storage temperature: -10...70°C
Protection class: depending on display size - IP 65 (front side when an additional frame is installed); IP 40 (front side); IP 20 (case and connection clips)
Case: board
Case material: NORYL - GFN2S E1
Case dimensions: 72 x 36 x 97 mm
Panel cut-out dimensions: 66,5 x 32,5 mm
Installation depth: min. 102 mm
Board thickness: max. 5 mm

Ordering

PAD-73D-0000-1-X-XX5-N1

options:

- 00 : no options
- 01 : IP 65 (display 6 x 9 mm)

power supply:

- 3 : 24V AC/DC
- 4 : 85...260V AC/DC